

Focus

CSP thermal generator

13.7 sqm - 10.5 kWh thermal



General

Gross area	13.7 sqm
Net area	12.5 sqm
Optical efficiency	92.00%
Solar tracking	Biaxial
Max fluid temperature	120° C
Max pressure	4 bar
Carrier fluid	Water / Water-Glycol
Flow rate	10-15 L/min
Power supply	230V
Aux supply	UPS + batteries

Production

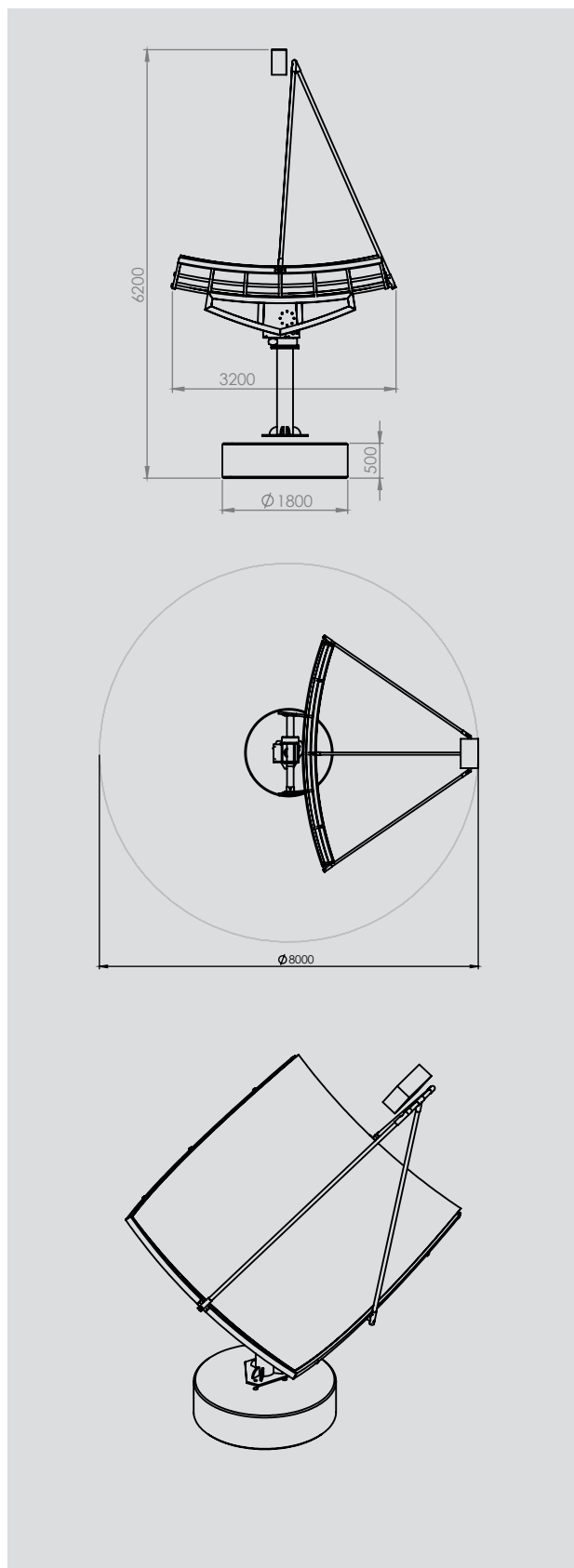
Peak thermal power (DNI 1kWh/m2)	10.5 kWh
Peak DHW production @45 °C	270 L/h

Materials

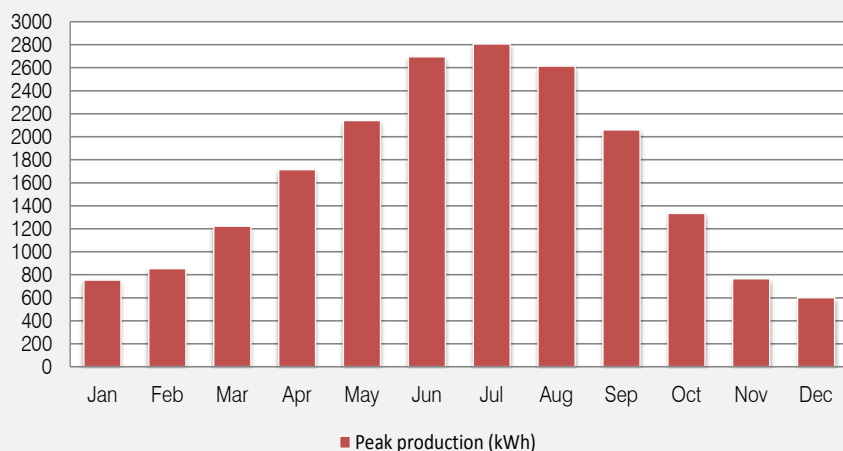
Reflector	Glass mirror 1.30 mm
Structure	Galvanized steel / aluminum

Performance, weight and size

Maximum wind speed in operation mode	60 km/h
Maximum wind speed at rest	120 km/h
Weight	550 Kg
Reflector size	4,50 m x 3,00 m
Installation Dimensions	d. 8,00 m
Focal distance	3,25 m
Max height in operation mode	4,50 m



Annual Production
Athens (GREECE) - 19.568 kWh/year



SUN GEN srl

Via Ganapini 5/A, 42035 Felina
Reggio Emilia, Italy
tel. +39 (0)522 814961
fax +39 (0)522 814961
Email: info@sungen.it

